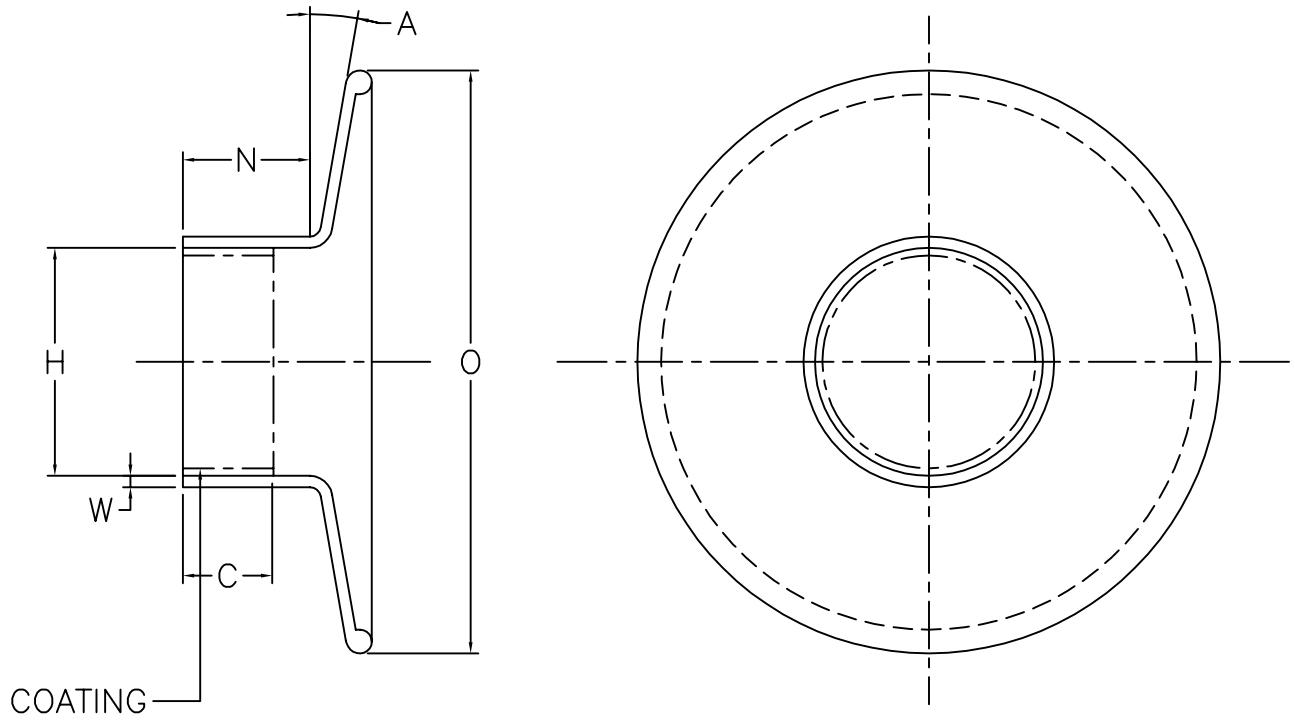




IKEBANA ENGINEERING LIMITED

ENGINEERING DRAWING :
HEAT SHRINKABLE CABLE ACCESSORIES

PRODUCT	HV SHEDS
MODEL	IXL 220,230&240
DOCUMENT NO.	DR/MFG/200
PAGE	1 OF 2



HV SHEDS DESIGN

MODEL	H	EXP-H	O	N	W	C	A
	S	E	S	S	S	S	S
IXL 220	16.00	37.00	90.00	25.00	2.50	15.00	10°
IXL 230	25.00	57.00	125.00	25.00	3.00	25.00	10°
IXL 240	35.00	75.00	145.00	25.00	3.00	25.00	10°

E : DIMENSION WHEN EXPANDED
S : DIMENSION WHEN FULLY RECOVERED

NOTES

- ALL DIMENSIONS ARE IN MM.
- TOLERANCES :

THICKNESS	W	± 10%
LENGTHS	N	± 10%
DIAMETERS	H,EXP-H,O	± 5%
ANGLES	A	± 5%

REVISION NO.	3	FIRST ANGLE PROJECTION	SCALE : NTS	ALL DIMENSIONS IN MM.
DATE	25/10/06	DRAWN BY : KHOMCHAI	APPROVED BY :	SANJEEV NABAR