



IKEBANA ENGINEERING LIMITED

ENGINEERING DRAWING :
HEAT SHRINKABLE CABLE ACCESSORIES

PRODUCT

MV STRAIGHT BOOT

MODEL

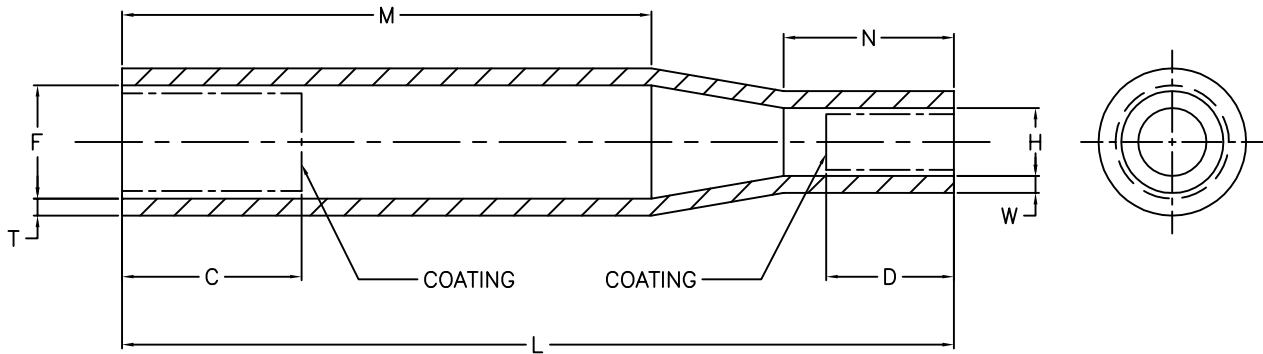
IXL 560 TO IXL 565

DOCUMENT NO.

DR/MFG/560

PAGE

1 OF 1



MV STRAIGHT BOOT

MODEL	H	EXP-H	F	EXP-F	L	M	N	C	D	W	T
	S	E	S	E	S	S	S	E	E	S	S
IXL560	18.00	35.00	30.00	81.00	220.00	140.00	45.00	50.00	25.00	4.50	4.50
IXL565	18.00	60.00	30.00	81.00	220.00	140.00	45.00	50.00	25.00	4.50	4.50

E : DIMENSION WHEN EXPANDED

S : DIMENSION WHEN RECOVERED

NOTES

1. ALL DIMENSIONS ARE IN MM.
2. TOLERANCES :

THICKNESS W & T ± 10%

LENGTHS L,M,EXP-M,C&D ± 10%

DIAMETERS H,EXP-M,F,EXP-F ± 5%

REVISION NO.	3	FIRST ANGLE PROJECTION	SCALE : NTS	ALL DIMENSIONS IN MM.
DATE	15/01/03	DRAWN BY :	JARUN P.	APPROVED BY : SANJEEV NABAR