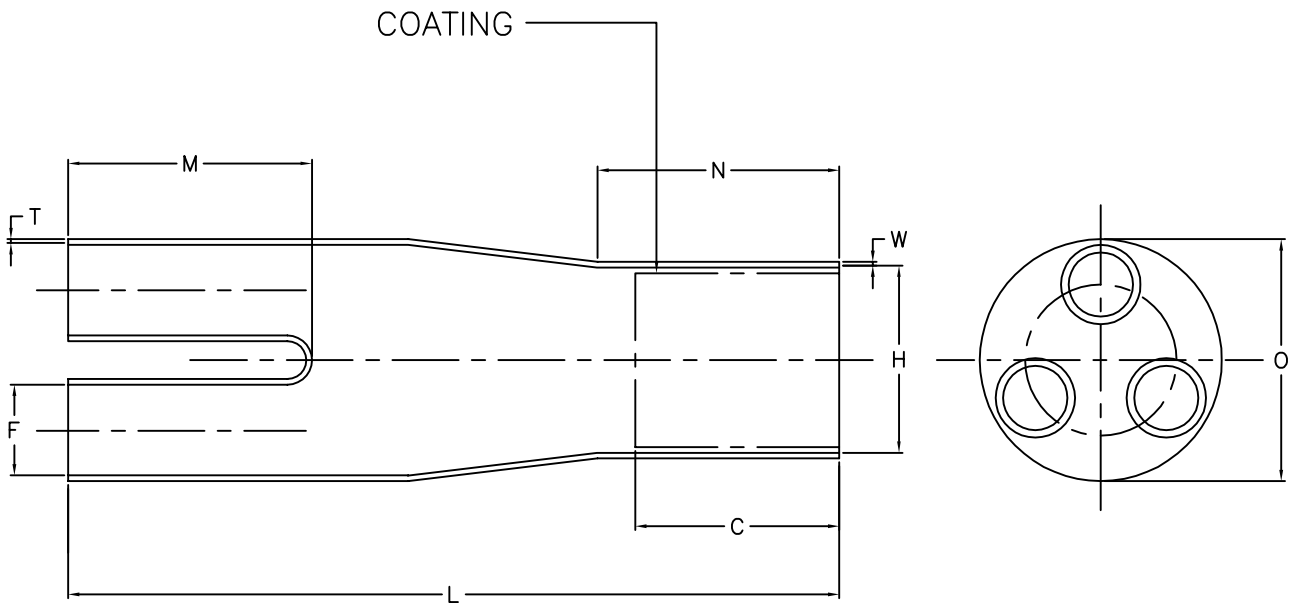




IKEBANA ENGINEERING LIMITED

ENGINEERING DRAWING :  
HEAT SHRINKABLE CABLE ACCESSORIES

PRODUCT	3 FINGER BREAKOUTS
MODEL	IXL 310 TO IXL 340
DOCUMENT NO.	DR/MFG/300
PAGE	1 OF 1



THREE FINGER BREAKOUTS DESIGN ( MV & CON )

MODEL	H	EXP-H	F	EXP-F	O	L	M	N	C	W	T
MV&CON	S	E	S	E	S	S	S	S	E	S	S
IXL310	22	60	8	24	40	185	45	115	35	3.75	3.00
IXL320	33	80	16	36	52	210	50	105	50	4.00	3.25
IXL325	33	95	16	36	52	210	50	105	50	4.00	3.25
IXL330	47	110	20	48	72	225	75	112	50	3.80	3.00
IXL335	47	125	20	55	72	250	75	112	50	4.25	3.50
IXL340	54	140	27	62	75	240	65	90	50	4.00	2.50

E : DIMENSION WHEN EXPANDED

S : DIMENSION WHEN FULLY RECOVERED

NOTES

1. ALL DIMENSIONS ARE IN MM.

2. TOLERANCES :

THICKNESS	W & T	± 10%
LENGTHS	L,M,N&C	± 10%
DIAMETERS	H,EXP-H,F,EXP-F&O	± 5%

REVISION NO.	6	FIRST ANGLE PROJECTION	SCALE : NTS	ALL DIMENSIONS IN MM.
DATE	03/03/08	DRAWN BY :	JARUN P.	APPROVED BY : SANJEEV NABAR