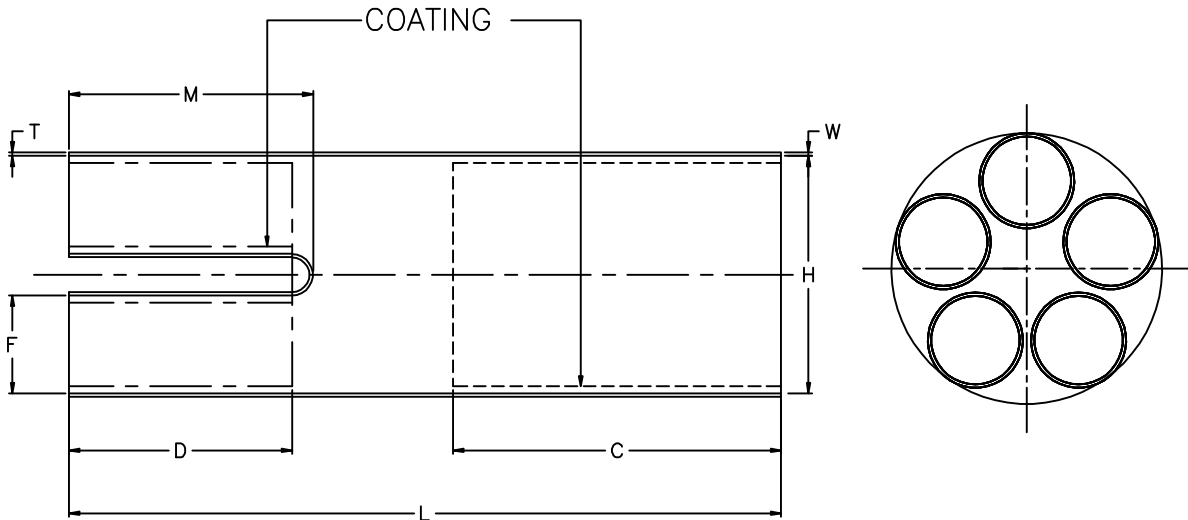




IKEBANA ENGINEERING LIMITED

ENGINEERING DRAWING :
HEAT SHRINKABLE CABLE ACCESSORIES

PRODUCT	5 FINGER LV BREAKOUTS
MODEL	IXL 550 & IXL 555
DOCUMENT NO.	DR/MFG/550
PAGE	1 OF 1



FIVE FINGER BREAKOUTS

MODEL	H	EXP-H	F	EXP-F	L	EXP-L	M	EXP-M	C	D	W	T
LV	S	E	S	E	S	E	S	E	E	E	S	S
IXL550	33	80	9	27	215	170	60	40	75	30	4.2	3.2
IXL555	33	102	9	35	215	180	60	50	75	40	4.2	3.2

E : DIMENSION WHEN EXPANDED
S : DIMENSION WHEN FULLY RECOVERED

NOTES

- ALL DIMENSIONS ARE IN MM.
- TOLERANCES :

THICKNESS	W & T	± 10%
LENGTHS	L,M,EXP-M,C&D	± 10%
DIAMETERS	H,EXP-H,F,EXP-F	± 5%

REVISION NO.	0	FIRST ANGLE PROJECTION	SCALE : NTS	ALL DIMENSIONS IN MM.
DATE	3/04/09	DRAWN BY : Whanuthaphong	APPROVED BY :	SANJEEV NABAR