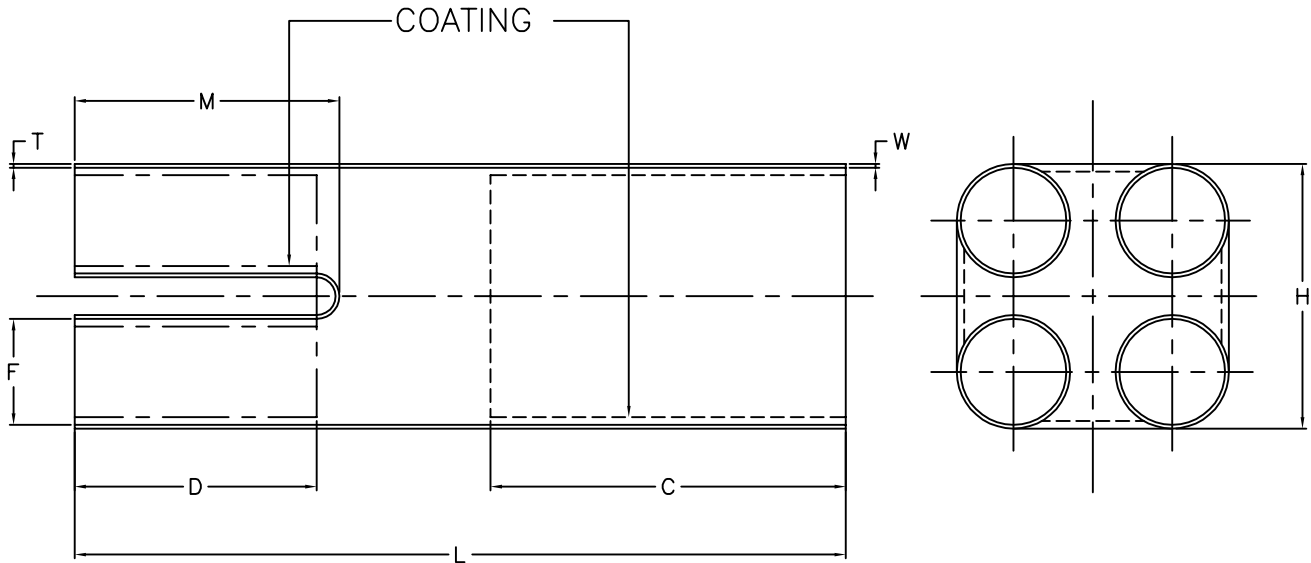




IKEBANA ENGINEERING LIMITED

ENGINEERING DRAWING :
HEAT SHRINKABLE CABLE ACCESSORIES

PRODUCT	4 FINGER LV BREAKOUTS
MODEL	IXL 400 TO IXL 450
DOCUMENT NO.	DR/MFG/400
PAGE	1 OF 1



FOUR FINGER BREAKOUTS

MODEL	H	EXP-H	F	EXP-F	L	EXP-L	M	EXP-M	C	D	W	T
LV	S	E	S	E	S	E	S	E	E	E	S	S
IXL400	8.5	28	1.8	10	70	60	23	15	20	15	2.6	1.8
IXL410	14	38	3.2	15	105	90	25	20	40	20	2.5	1.5
IXL415	14	50	3.2	15	105	90	25	20	40	20	2.5	1.5
IXL420	25	55	6.0	20	180	165	45	40	60	25	4.0	3.0
IXL425	25	65	6.0	25	180	160	45	35	60	25	4.0	3.0
IXL430	22	72	8.5	25	190	165	45	40	65	25	4.0	3.0
IXL440	33	100	14	35	215	180	50	40	75	30	4.0	3.0
IXL450	47	125	20	45	245	200	72	50	100	30	4.5	3.0

E : DIMENSION WHEN EXPANDED

S : DIMENSION WHEN FULLY RECOVERED

NOTES

1. ALL DIMENSIONS ARE IN MM.

2. TOLERANCES :

THICKNESS	W & T	± 10%
LENGTHS	L,M,EXP-M,C&D	± 10%
DIAMETERS	H,EXP-H,F,EXP-F	± 5%

REVISION NO.	6	FIRST ANGLE PROJECTION	SCALE : NTS	ALL DIMENSIONS IN MM.
DATE	15/08/09	DRAWN BY :	JARUN P.	APPROVED BY : SANJEEV NABAR