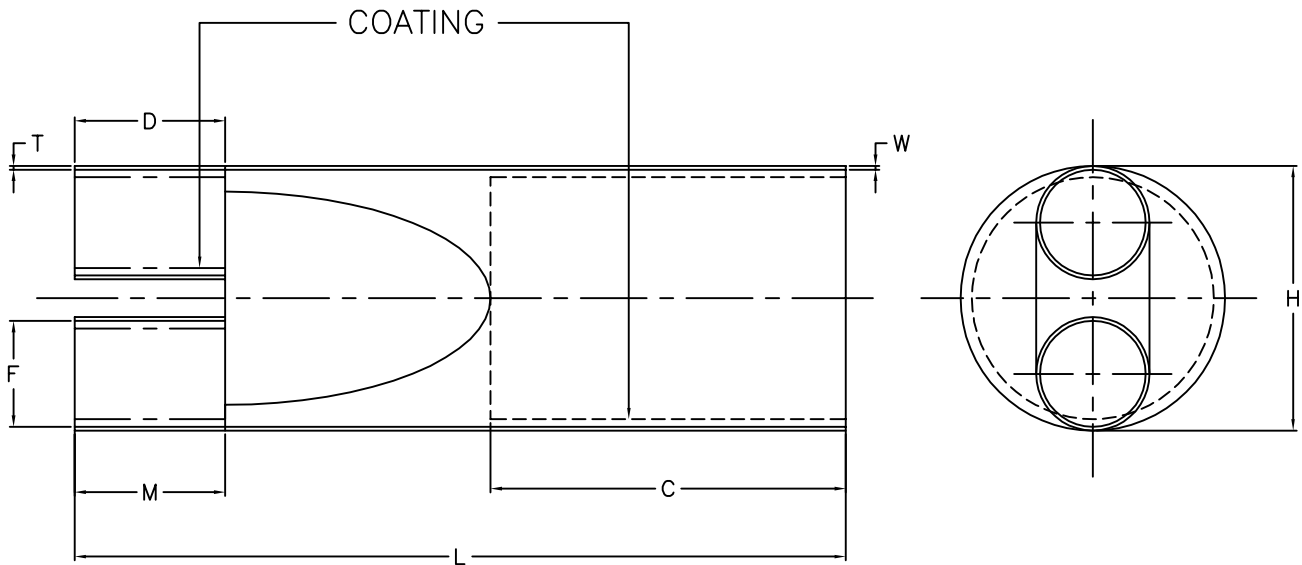




IKEBANA ENGINEERING LIMITED

ENGINEERING DRAWING :  
HEAT SHRINKABLE CABLE ACCESSORIES

PRODUCT	2 FINGER LV BREAKOUTS
MODEL	IXL 250 AND IXL 260
DOCUMENT NO.	DR/MFG/250
PAGE	1 OF 1



TWO FINGER BREAKOUTS

MODEL	H	EXP-H	F	EXP-F	L	EXP-L	M	EXP-M	C	D	W	T
LV	S	E	S	E	S	E	S	E	E	S	S	S
IXL 250	10	33	3	14	90	75	20	15	30	20	2	2.3
IXL 260	22	60	6.7	24	120	100	35	25	40	20	3.2	3

E : DIMENSION WHEN EXPANDED

S : DIMENSION WHEN FULLY RECOVERED

NOTES

1. ALL DIMENSIONS ARE IN MM.

2. TOLERANCES :

THICKNESS	W & T	± 10%
LENGTHS	L,M,EXP-M,C&D	± 10%
DIAMETERS	H,EXP-H,F,EXP-F	± 5%

REVISION NO.	2	FIRST ANGLE PROJECTION	SCALE : NTS	ALL DIMENSIONS IN MM.
DATE	02/08/04	DRAWN BY :	JARUN P.	APPROVED BY : SANJEEV NABAR