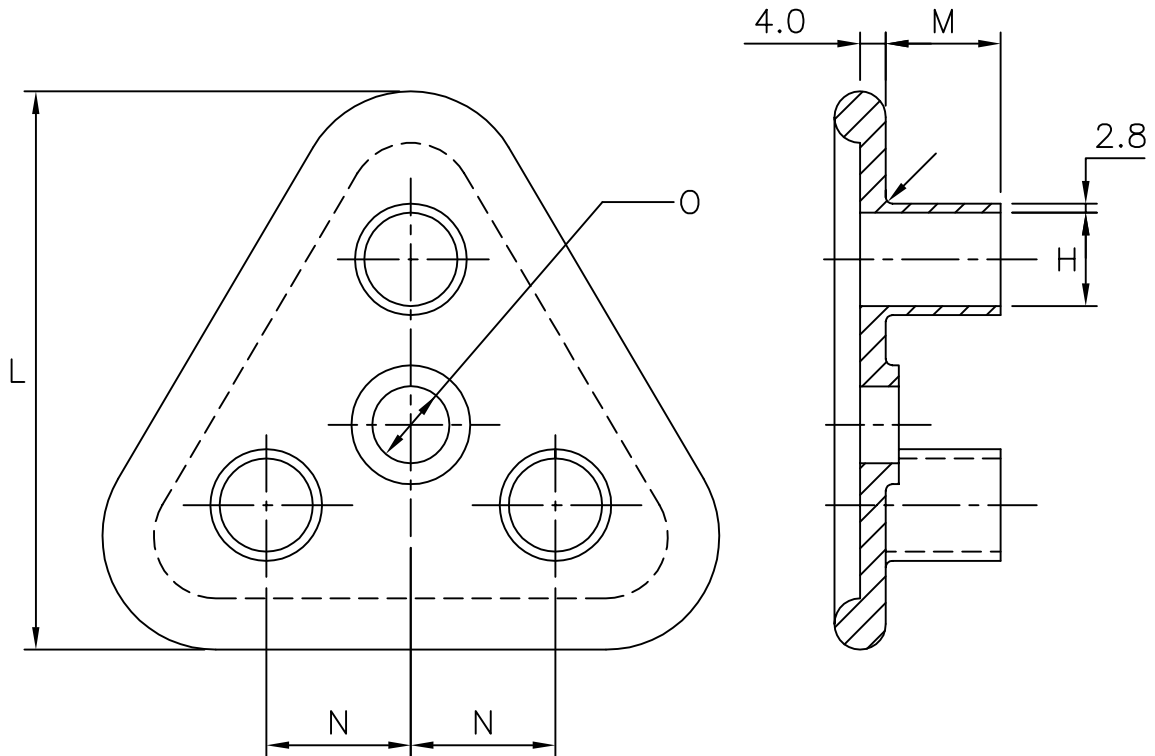




IKEBANA ENGINEERING LIMITED

ENGINEERING DRAWING :  
HEAT SHRINKABLE CABLE ACCESSORIES

PRODUCT	TRIPLE SHED
MODEL	IXL 270 TO IXL 290
DOCUMENT NO.	DR/MFG/270
PAGE	1 OF 1



### HV SHEDS DESIGN

MODEL	L (NOM)	H	EXP-H	M	N	O
		S	E	S	S	S
IXL270	135	15	35	26	35	24
IXL280	165	23	45	28	45	24
IXL290	165	29	60	28	45	24

E : DIMENSION WHEN EXPANDED

S : DIMENSION WHEN FULLY RECOVERED

### NOTES

1. ALL DIMENSIONS ARE IN MM.

2. TOLERANCES :

THICKNESS	W	± 10%
LENGTHS	N,L	± 10%
DIAMETERS	H,EXP-H,O	± 5%

REVISION NO.	4	FIRST ANGLE PROJECTION	SCALE : NTS	ALL DIMENSIONS IN MM.
DATE	28/09/09	DRAWN BY : JARUN P.	APPROVED BY :	SANJEEV NABAR