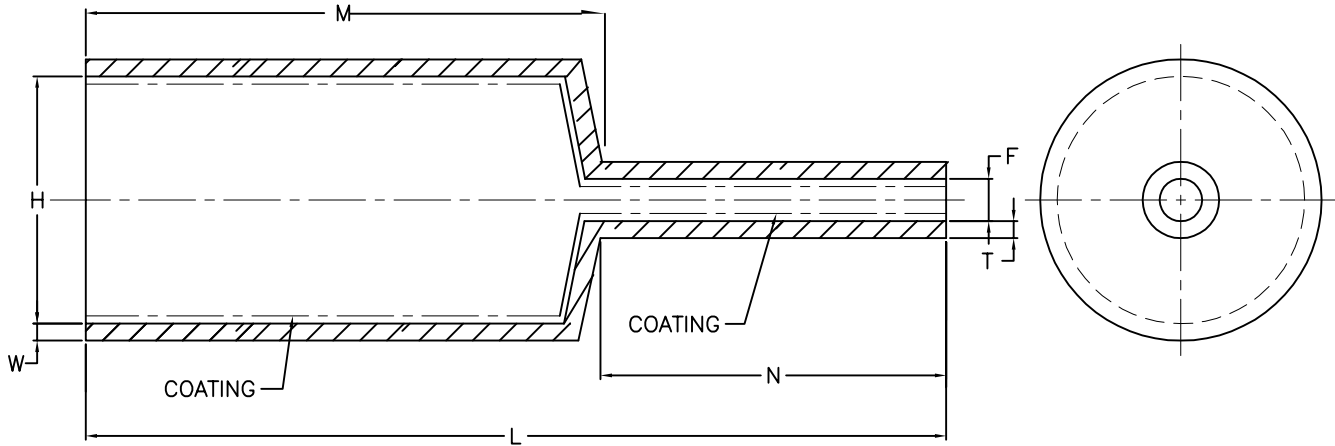




IKEBANA ENGINEERING LIMITED

ENGINEERING DRAWING :
HEAT SHRINKABLE CABLE ACCESSORIES

PRODUCT	ANODE CAP
MODEL	IXL 610 & 620
DOCUMENT NO.	DR/MFG/610
PAGE	1 OF 1



ANODE CAP

MODEL	H	EXP-H	F	EXP-F	L	M	N	W	T
	S	E	S	E	E	E	S	S	S
IXL 610	40	80	6.5	14	190	123	67	4	4
IXL 620	40	105	6.5	14	190	123	67	4	4

E : DIMENSION WHEN EXPANDED

S : DIMENSION WHEN RECOVERED

COATING : BLACK MASTIC

NOTES

1. ALL DIMENSIONS ARE IN MM.
2. TOLERANCES :

THICKNESS	W & T	± 10%
LENGTHS	L,M,N	± 2%
DIAMETERS	H,EXP-H,F,EXP-F	± 3%

REVISION NO.	1	FIRST ANGLE PROJECTION	SCALE : NTS	ALL DIMENSIONS IN MM.
DATE	15/07/06	DRAWN BY :	JARUN P.	APPROVED BY : SANJEEV NABAR